

1 FIXINGS SUPPLIED

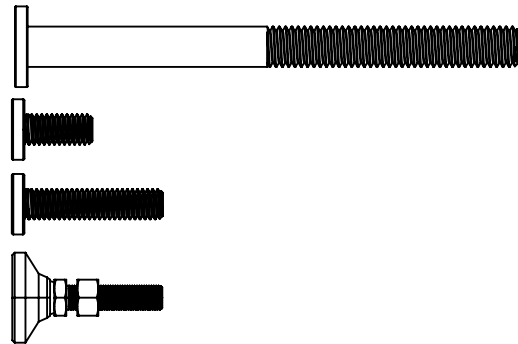
(A) 4x M8x100 FLAT HEAD SCREW

(B) 4x M6x16 FLAT HEAD SCREW

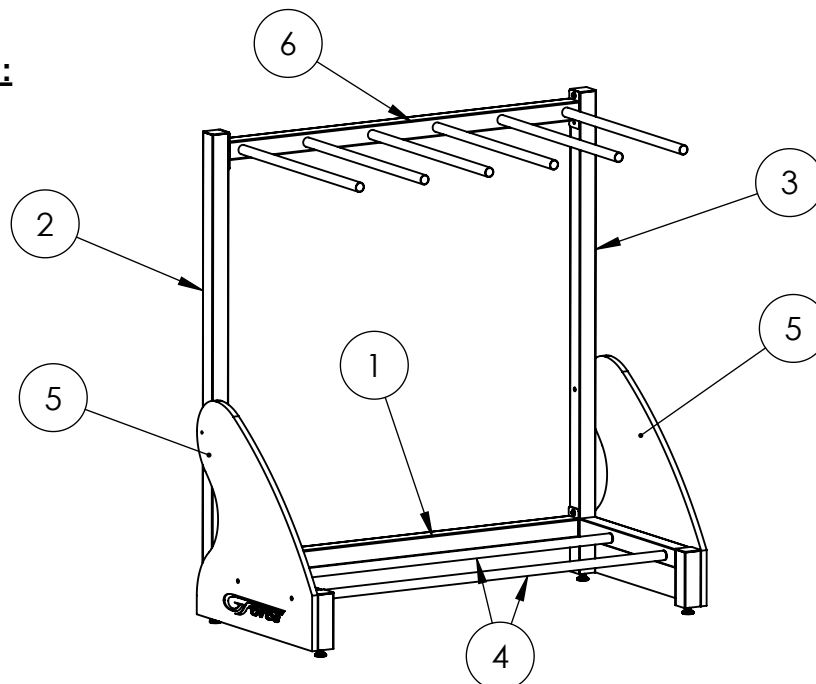
(C) 2x M6x30 FLAT HEAD SCREW

(D) 4x GLIDES

(E) ALLEN KEYS



2 INSTALLATION:



- (i.) ATTACH GLIDES (D) TO THE BASE OF LEFT (2) AND RIGHT (3) FRAME SIDES.
- (ii.) ATTACH LOOSELY REAR CROSS MEMBER (1) TO LEFT (2) AND RIGHT (3) FRAME SIDES WITH FOUR M6x16 SCREWS (B).
- (iii.) ATTACH TIMBER SIDE (5) TO LEFT FRAME SIDE (2), AT THE TOP ONLY, WITH ONE M6x30 SCREW (C). DO THE SAME ON THE RIGHT SIDE (3).
- (iv.) LINE THE HORIZONTAL HOLES OF THE TIMBER SIDE (5), UP WITH THE TWO HOLES IN THE SIDE OF THE LEFT SIDE FRAME (2). SLIDE THE M8x10 SCREWS (A) THROUGH TIMBER SIDE (5) AND LEFT SIDE FRAME (2) UNTIL IT COMES OUT THE OTHER SIDE. ATTACH ONE OF THE FOAM BOARD SUPPORTS (4) TO THE LEFT SIDE FRAME (2) BY SCREWING IN THE SCREW (A) INTO THE END OF THE FOAM BOARD SUPPORT (4). DO NOT TIGHTEN FULLY YET. DO THE SAME FOR OTHER SCREW (A). DO THE SAME ON THE RIGHT SIDE (3).
- (v.) ATTACH THE TOP BOARD DIVIDER (6) TO THE LEFT (2) AND RIGHT (3) SIDE FRAME WITH FOUR M6x30 SCREWS (B).
- (vi.) GO BACK AND TIGHTEN ALL SCREWS.
- (vii.) ADJUST GLIDES (D) TO LEVEL FRAME.
- (viii.) **YOU ARE NOW READY TO RACK IT.**